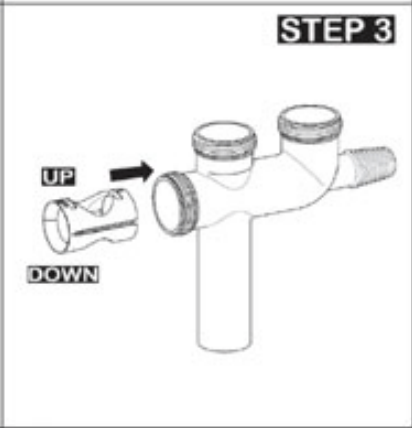
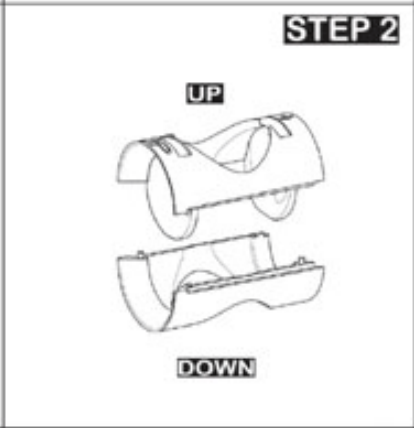


**STEP 1**

**STEP 2**

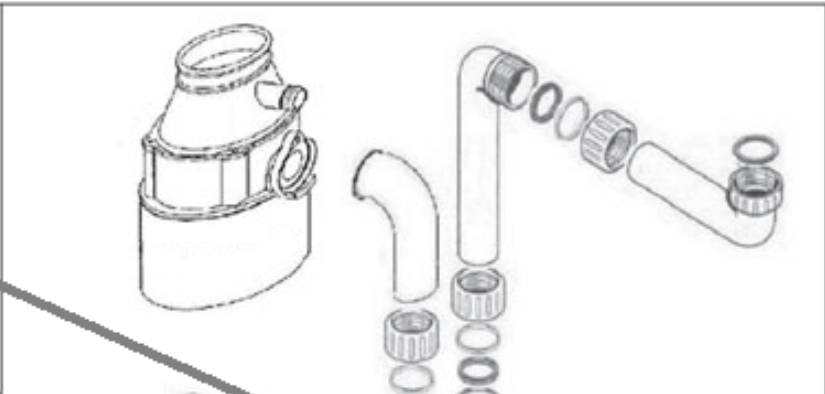
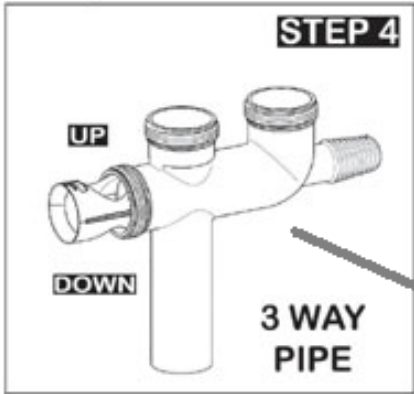
**STEP 3**



WWB® WASTE WATER BOOSTER

WWB® WASTE WATER BOOSTER

**STEP 4**



KIT OF PIPES

